



WEWOOD

PORTUGUESE JOINERY

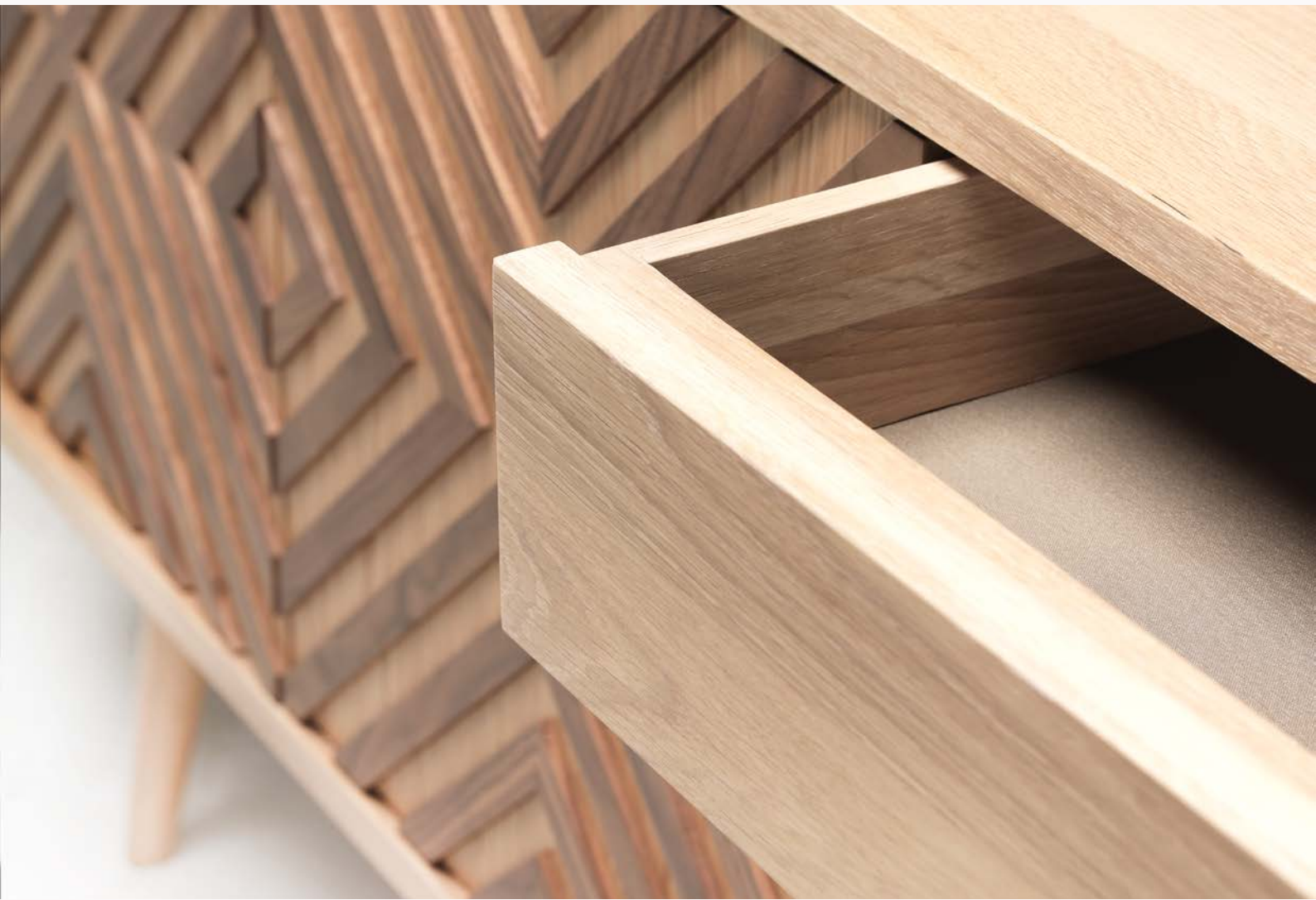


CASANOVA SIDEBOARD

ALL IN SOLID WOOD PIECE.
THE DETAILS IN THE DOORS ARE IN OAK AND WALNUT.
FIVE INSIDE SPACES, TWO CUPBOARDS, TWO DRAWERS
AND AN OPEN SPACE WITH ADJUSTABLE SHELVES.

DESIGNER WEWOOD DESIGN CENTER

WEWOOD.EU/PRODUCTS/SIDEBOARDS/CASANOVA



EXTRA INFO

CASANOVA IS A PIECE IN 100% SOLID WOOD, WHICH CAN WORK AS A TV CABINET OR SIMPLY AS A SIDEBORD.

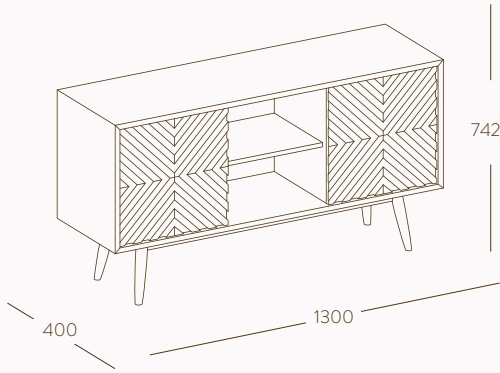
THE PATTERN REPRODUCED ON THE DOORS IS MADE FROM PIECES OF OAK AND WALNUT THAT ARE GLUED BY HAND, COMBINING THE SKILLED WORK OF ARTISANS WITH THE HIGH QUALITY MATERIALS.

SPECIFICATIONS

THE STRUCTURE, LEGS AND INTERIOR DRAWERS IN SOLID OAK. DOORS IN SOLID OAK AND WALNUT. UPHOLSTERED DRAWERS. ADJUSTABLE SHELVES.

FINISHINGS

OAK FINISHED WITH LINSEED OIL & UV PROTECTION
WALNUT FINISHED WITH ACRYLIC LACQUER & UV PROTECTION



DIMENSIONS

W 1300MM H 742MM D 400MM | 0.39M³
 W 51.18" H 29.21" D 15.75"
 WEIGHT 49.5KG | 109.13LBS
 REF. WW011

PACKED IN 3 VOLUMES:
 STRUCTURE & LEGS, 2 DOORS AND 2 DRAWERS

CARE & MAINTENANCE

WEWOOD PRODUCTS ARE MADE WITH PASSION AND EXPERTISE UNDER A SERIOUS COMMITMENT TO QUALITY, **BUILT TO LAST A LIFE TIME** AND SO THEY NEED SOME MAINTENANCE CARE TO KEEP THEM IN PERFECT CONDITIONS. **SOLID WOOD IS SENSITIVE TO THERMAL SHOCK**, SO IT'S IMPORTANT TO GRADUALLY INTRODUCE THE FURNITURE TO ANY NEW ENVIRONMENT OR SOME CHANGES MAY OCCUR. **TAKING CARE OF SOLID WOOD FURNITURE COULDN'T BE EASIER.**

FOR **DAILY MAINTENANCE USE A DRY CLOTH** AND FROM TIME TO TIME USE A SLIGHTLY DAMP CLOTH. **DON'T PANIC ABOUT SPILLS, JUST WIPE THE SURFACE WITH A DRY CLOTH, IT'S PROTECTED THANKS TO THE FINISHES WE USE.** ALL OUR PRODUCTS ARE FINISHED WITH **LINSEED OIL THAT ENHANCES AND PROTECTS THE NATURAL BEAUTY OF WOOD.** ADDITIONALLY WE APPLY **UV PROTECTION THAT PREVENTS DISCOLORATION AND FORMS A WATER REPELLENT LAYER.**

THE BUZZ



GOES WELL WITH



HEXA CENTER / SIDE TABLE



SCARPA W SIDEBOARD



RADIO SIDEBOARD



OUR TEAM WORKS EVERY DAY TO CREATE PRODUCTS THAT REPRESENT VALUES SUCH AS **JOINERY, DESIGN, KNOW-HOW, FUNCTIONALITY, INNOVATION AND AESTHETICS** WHICH REPRESENTS THE BRANDS DNA.

THE DEDICATION PRESENT AT ALL STAGES OF **PRODUCTION AND THE COMBINATION OF THE CRAFTSMANSHIP, HIGH TECHNOLOGY AND INNOVATIVE DESIGN** RESULTS IN A NATURAL AND CERTIFIED PRODUCT MADE WITH PASSION AND EXPERTISE.

FOR ALL OF THIS TO BE POSSIBLE, **WE ALWAYS KEEP A RESPECTABLE AND TRUSTWORTHY RELATION WITH OUR EMPLOYEES, SUPPLIERS AND CLIENTS, MAKING US PROUD TO CONSIDER THEM ALL PART OF OUR OWN WEWOOD FAMILY.**

FOLLOW US



SUBSCRIBE OUR NEWSLETTER AT:
WEWOOD.EU

INFO@WEWOOD.EU
T. +351 220 112 173
M. +351 932 492 434

PORTUGAL