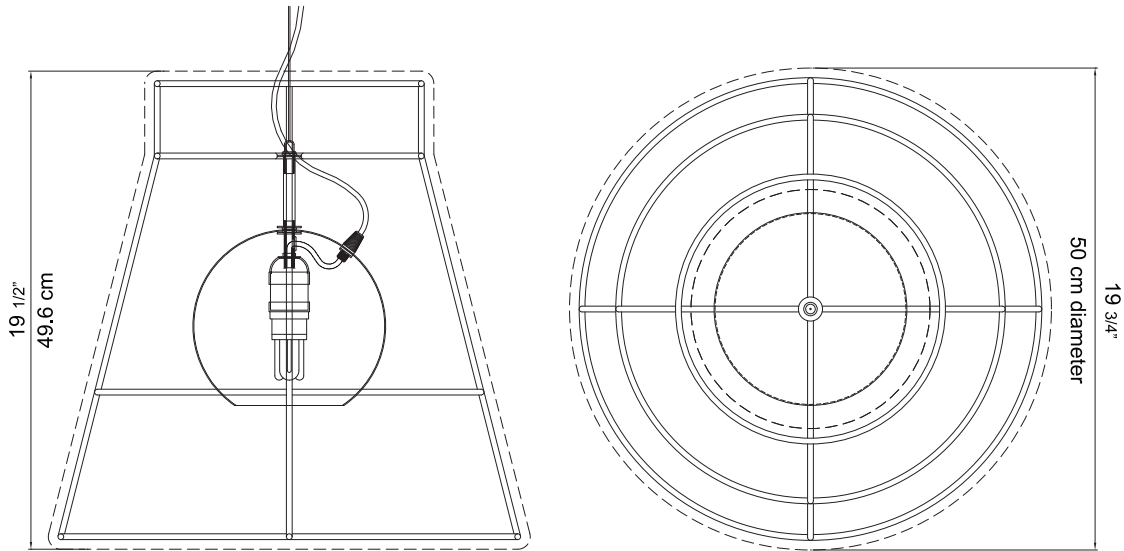



# KNOTTEE


HANGING LAMP



Standard



 3.50 kg (33.06 lbs.)

 5.50 kg (37.47 lbs.)

 0.15 m<sup>3</sup>

**Materials:**

Frosted glass diffuser  
Woven synthetic fiber  
Stainless steel bar

**Design:**

Kenneth Cobonpue

**Colors / Finishes:**



Olive/Gray