



# WEWOOD

PORTUGUESE JOINERY



## ORCA CHAIR

CHAIR ALL IN WOOD, LIGHT AND STRONG.  
AVAILABLE IN OAK OR WALNUT WITH  
UPHOLSTERED PADS FOR SEAT.  
DESIGNER GUD STUDIO



## EXTRA INFO

ORCA IS A ALL-WOOD CHAIR, THAT ACHIEVES LIGHTNESS AND ELEGANCE THROUGH DESIGN, BUT ALSO STRENGTH AND COMFORT THROUGH MATERIALS AND CRAFT TECHNIQUES.

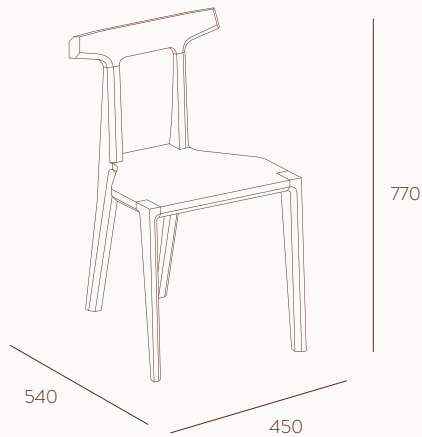
COMFORTABLE, STRONG AND LIGHT, ORCA CHAIR ENHANCES ANY ROOM. AVAILABLE IN OAK OR WALNUT AND WITH SEAT PAD.

## SPECIFICATIONS

ALL STRUCTURE IN SOLID WOOD.  
UPHOLSTERED PAD FOR SEAT AVAILABLE.  
FABRIC CUSTOMIZABLE.

## FINISHINGS

OAK FINISHED WITH LINSEED OIL & UV PROTECTION  
38 COLOR FABRICS IN FIRE RETARDANT CHENILLE  
SEVERAL LEATHER OPTIONS



## DIMENSIONS

W 450MM H 770MM D 540MM | 0.20M<sup>3</sup>

W 30.3" H 17.7" D 21.2"

WEIGHT 6KG | 13.23LBS

REF. GUD002

PACKED IN 1 VOLUME

## WEWOOD FABRIC OPTIONS \*

KIRKBY DESIGN - FLECK | 30.000 MARTINDALE | FIRE RETARDANT (CHECK [WWW.KIRKBYDESIGN.COM/COLLECTIONS/FLECK](http://WWW.KIRKBYDESIGN.COM/COLLECTIONS/FLECK))



TEAL

NUTMEG

CHALK

FJORD

MIDNIGHT

ORANGE

ROUGE

LEATHER (REQUEST A SAMPLE AT [INFO@WEWOOD.COM](mailto:INFO@WEWOOD.COM))



BLUE NOTE

GRAFITE

CASTAGNA

TOPO

AVANA

ECRU

## CARE & MAINTENANCE

WEWOOD PRODUCTS ARE MADE WITH PASSION AND EXPERTISE UNDER A SERIOUS COMMITMENT TO QUALITY, **BUILT TO LAST A LIFE TIME** AND SO THEY NEED SOME MAINTENANCE CARE TO KEEP THEM IN PERFECT CONDITIONS.

**SOLID WOOD IS SENSITIVE TO THERMAL SHOCK**, SO IT'S IMPORTANT TO GRADUALLY INTRODUCE THE FURNITURE TO ANY NEW ENVIRONMENT OR SOME CHANGES MAY OCCUR. **TAKING CARE OF SOLID WOOD FURNITURE COULDN'T BE EASIER.**

FOR **DAILY MAINTENANCE USE A DRY CLOTH** AND FROM TIME TO TIME USE A SLIGHTLY DAMP CLOTH.

DON'T PANIC ABOUT SPILLS, JUST WIPE THE SURFACE WITH A DRY CLOTH, **IT'S PROTECTED THANKS TO THE FINISHES WE USE.**

ALL OUR PRODUCTS ARE FINISHED WITH **LINSEED OIL THAT ENHANCES AND PROTECTS THE NATURAL BEAUTY OF WOOD.** ADDITIONALLY WE APPLY **UV PROTECTION THAT PREVENTS DISCOLORATION AND FORMS A WATER REPELLENT LAYER.**

THE BUZZ



GOES WELL WITH



SCARPA SIDEBORD



RAIA TABLE



CANCAN COAT STAND



OUR TEAM WORKS EVERY DAY TO CREATE PRODUCTS THAT REPRESENT VALUES SUCH AS **JOINERY, DESIGN, KNOW-HOW, FUNCTIONALITY, INNOVATION AND AESTHETICS** WHICH REPRESENTS THE BRANDS DNA.

THE DEDICATION PRESENT AT ALL STAGES OF **PRODUCTION AND THE COMBINATION OF THE CRAFTSMANSHIP, HIGH TECHNOLOGY AND INNOVATIVE DESIGN** RESULTS IN A NATURAL AND CERTIFIED PRODUCT MADE WITH PASSION AND EXPERTISE.

FOR ALL OF THIS TO BE POSSIBLE, **WE ALWAYS KEEP A RESPECTABLE AND TRUSTWORTHY RELATION WITH OUR EMPLOYEES, SUPPLIERS AND CLIENTS, MAKING US PROUD TO CONSIDER THEM ALL PART OF OUR OWN WEWOOD FAMILY.**

*SUBSCRIBE OUR NEWSLETTER AT:*  
**WEWOOD.EU**

INFO@WEWOOD.EU  
T. +351 220 112 173  
M. +351 932 492 434

PORTUGAL