



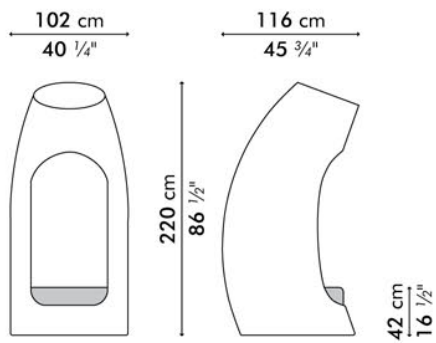
## CAPSULE






🏠 rattan, nylon twine

⚙️ polyethylene fiber, nylon twine, aluminum

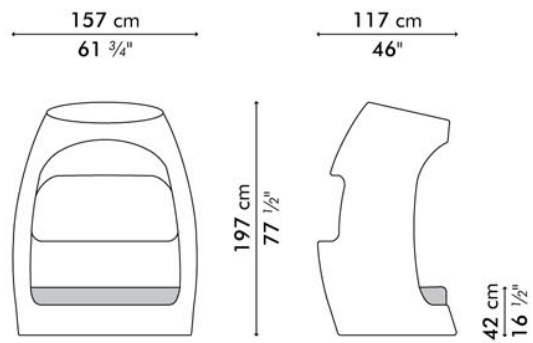
# LOLAH





## Capsule



	INDOOR	OUTDOOR
 Weight	27 kg / 60 lbs	37 kg / 82 lbs
 Weight	40 kg / 88 lbs	51 kg / 112 lbs
 Volume	2.91 m <sup>3</sup>	2.91 m <sup>3</sup>
 SEAT	3.50 m / 3.85 yds	
 PILLOWS	3 pcs 51x51 cm / 20"x20" 1.80 m / 2.00 yds	
	3 pcs 49x33 cm / 19"x13" 1.20 m / 1.30 yds	

## Capsule, 2-seater



	INDOOR
 Weight	33 kg / 73 lbs
 Weight	46 kg / 102 lbs
 Volume	3.84 m <sup>3</sup>
 SEAT	4.15 m / 4.65 yds
 PILLOWS	3 pcs 56x56 cm / 22"x22" 1.95 m / 2.10 yds
	2 pcs 51x51 cm / 20"x20" 1.20 m / 1.30 yds
	3 pcs 49x33 cm / 19"x13" 1.20 m / 1.30 yds

**INDOOR** rattan, nylon twine



whitewash



dark brown

**OUTDOOR** polyethylene fiber, nylon twine, aluminum



whitewash



brown