



MARIA DINING TABLE

ROUND TABLE IN SOLID WOOD.
PERFECT FOR MEALS SITS SIX PEOPLE.

DESIGNER WEWOOD DESIGN STUDIO



EXTRA INFO

MARIA IS A ROUND TABLE OF SCANDINAVIAN INSPIRATION, WITH A FLUID AND LIGHTWEIGHT DESIGN. ITS FOUR FEET IN THE SHAPE OF A TOOTHPICK ENSURE ITS STABILITY AND AT THE SAME TIME GIVES IT A RETRO AESTHETIC.

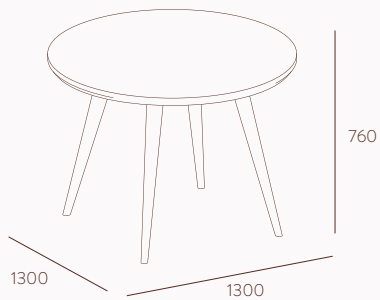
CRAFTED IN SOLID WOOD, MARIA ADAPTS TO MANY USES AND ENVIRONMENTS DUE TO ITS CONTEMPORARY DESIGN AND RESISTANT STRUCTURE. PERFECT FOR MEALS AND LEISURE TIMES, THIS DINNER TABLE COMFORTABLY SITS SIX PEOPLE.

SPECIFICATIONS

ALL IN SOLID WOOD.
AVAILABLE IN OAK OR WALNUT.
COLOR OPTIONS UNDERNEATH THE TABLE TOP.

FINISHINGS

OAK FINISHED WITH LINSEED OIL & UV PROTECTION
WALNUT FINISHED WITH ACRYLIC LACQUER & UV PROTECTION



DIMENSIONS

W 1300MM H 760MM D 1300MM | 0.18M³

W 51.2" H 29.9" D 51.2"

WEIGHT 54KG | 119LBS

REF. WW054

PACKED IN 4 VOLUME - LEGS (2), TOP (1) AND STRUCTURE (1)

CARE & MAINTENANCE

WEWOOD PRODUCTS ARE MADE WITH PASSION AND EXPERTISE UNDER A SERIOUS COMMITMENT TO QUALITY, **BUILT TO LAST A LIFE TIME** AND SO THEY NEED SOME MAINTENANCE CARE TO KEEP THEM IN PERFECT CONDITIONS.

SOLID WOOD IS SENSITIVE TO THERMAL SHOCK, SO IT'S IMPORTANT TO GRADUALLY INTRODUCE THE FURNITURE TO ANY NEW ENVIRONMENT OR SOME CHANGES MAY OCCUR. **TAKING CARE OF SOLID WOOD FURNITURE COULDN'T BE EASIER.**

FOR **DAILY MAINTENANCE USE A DRY CLOTH** AND FROM TIME TO TIME USE A SLIGHTLY DAMP CLOTH.

DON'T PANIC ABOUT SPILLS, JUST WIPE THE SURFACE WITH A DRY CLOTH, **IT'S PROTECTED THANKS TO THE FINISHES WE USE.**

ALL OUR PRODUCTS ARE FINISHED WITH **LINSEED OIL THAT ENHANCES AND PROTECTS THE NATURAL BEAUTY OF WOOD.** ADDITIONALLY WE APPLY **UV PROTECTION THAT PREVENTS DISCOLORATION AND FORMS A WATER REPELLENT LAYER.**

GOES WELL WITH



XI BOOKSHELF



PENSIL ARMCHAIR



SCARPA SIDEBOARD



OUR TEAM WORKS EVERY DAY TO CREATE PRODUCTS THAT REPRESENT VALUES SUCH AS **JOINERY, DESIGN, KNOW-HOW, FUNCTIONALITY, INNOVATION AND AESTHETICS** WHICH REPRESENTS THE BRANDS DNA.

THE DEDICATION PRESENT AT ALL STAGES OF **PRODUCTION AND THE COMBINATION OF THE CRAFTSMANSHIP, HIGH TECHNOLOGY AND INNOVATIVE DESIGN** RESULTS IN A NATURAL AND CERTIFIED PRODUCT MADE WITH PASSION AND EXPERTISE.

FOR ALL OF THIS TO BE POSSIBLE, **WE ALWAYS KEEP A RESPECTABLE AND TRUSTWORTHY RELATION WITH OUR EMPLOYEES, SUPPLIERS AND CLIENTS, MAKING US PROUD TO CONSIDER THEM ALL PART OF OUR OWN WEWOOD FAMILY.**

SUBSCRIBE OUR NEWSLETTER AT:
WEWOOD.EU

INFO@WEWOOD.EU
T. +351 220 112 173
M. +351 932 492 434

PORTUGAL