

# TRAME

KENETHCOBONPUE



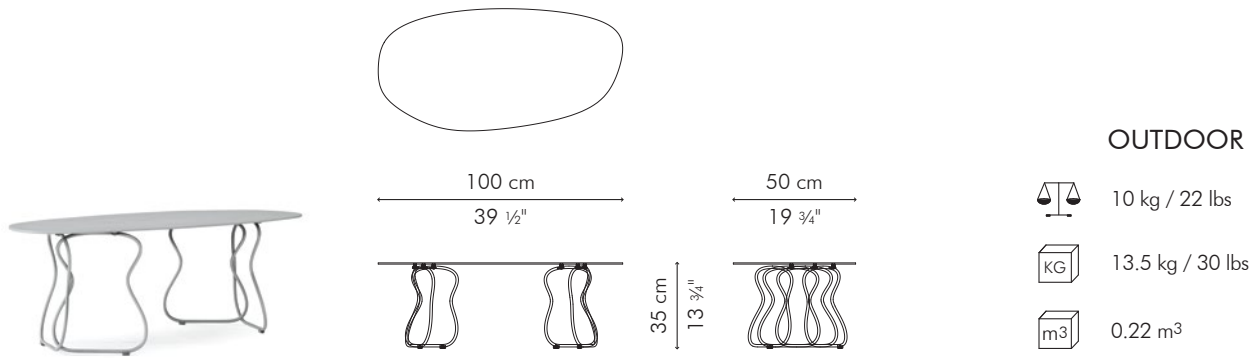
COFFEE TABLE  
END TABLE  
STOOL

designed by Federica Capitani

☼ fiberglass, steel

☼ polyethylen, nylon, steel

## COFFEE TABLE



OUTDOOR

 10 kg / 22 lbs

 13.5 kg / 30 lbs

 0.22 m<sup>3</sup>

OUTDOOR fiberglass, steel

Aqua

TCTM-AQ-3913OD

Stone Gray

TCTM-SG-3913OD

Dolphin Gray

TCTM-DG-3913OD

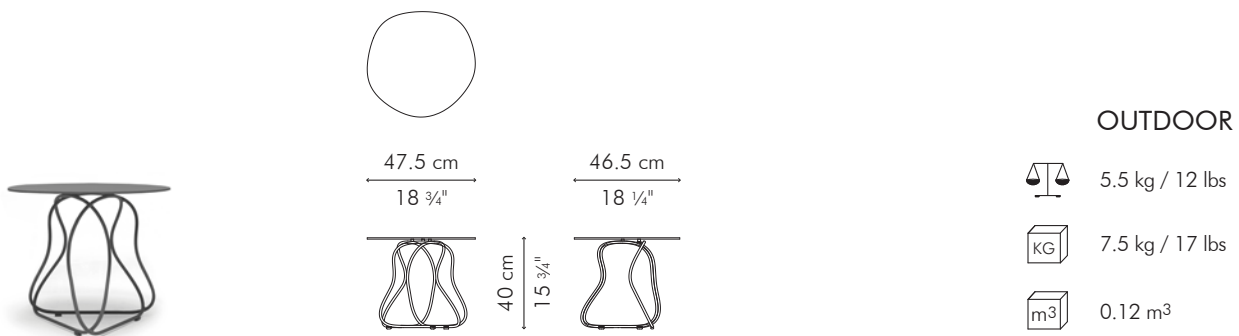
Tangerine

TCTM-T-3913OD

Faery Blue


TCTM-FB-3913OD


## END TABLE



OUTDOOR

 5.5 kg / 12 lbs

 7.5 kg / 17 lbs

 0.12 m<sup>3</sup>

OUTDOOR fiberglass, steel

Aqua

TETM-AQ-1815OD

Stone Gray

TETM-SG-1815OD

Dolphin Gray

TETM-DG-1815OD

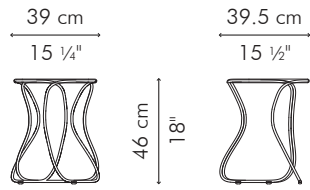
Tangerine

TETM-T-1815OD

Faery Blue

TETM-FB-1815OD


## STOOL



### OUTDOOR

 3 kg / 7 lbs

 4 kg / 9 lbs

 0.08 m<sup>3</sup>

OUTDOOR polyethylene, nylon, steel



EBETM-MCSM-1518OD



EBETM-MCAT-1518OD