

# FANDANGO

KENETHCOBONPUE



HANGING LAMP

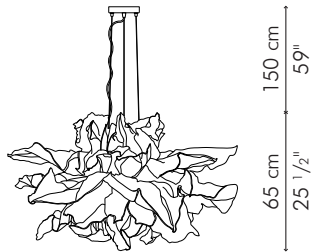
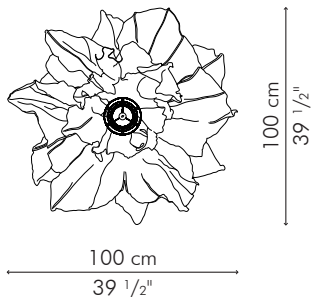
🏠 cotton fiber, powder coated steel



## HANGING LAMP



### MEDIUM



 4 kg / 9 lbs

 12 kg / 26 lbs

 0.735 m<sup>3</sup>

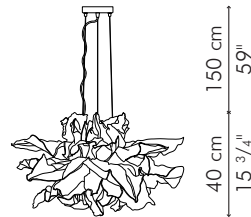
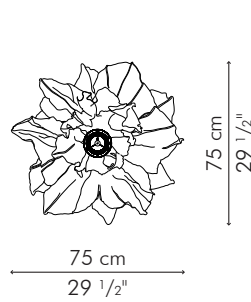
2 x 50 watts

code: LFN-W-3925

Surface mounted pre-wired lamp  
G9  
110V - 230V

LED Chip Version  
ANSI  
110V / 12-48VDC

### SMALL



2 kg / 4 lbs

6.80 kg / 15 lbs

0.273 m<sup>3</sup>

2 x 50 watts

LFN-W-2915

IEC/CENELEC  
230V / 12-48VDC

**INDOOR** cotton fiber, powder coated steel



White